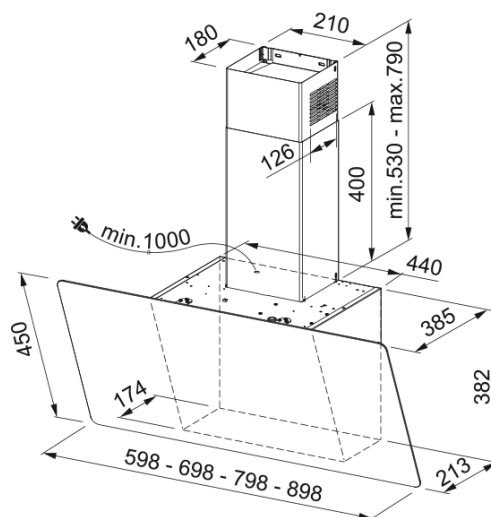


Evo Plus FPJ 925 V BK/SS UK Black | 330.0590.446



Evo Plus FPJ 925 V BK/SS UK Black, Wall Hood, 90cm wide. Energy efficient & good value with powerful extraction. Capacitive Touch controls, 3 speeds + Intensive, 2 x LED Lights. NB Supplied with Chimney Kit and Charcoal Filter ready for any installation.

Product Information

Hood category	Vertical
Finish	Black

Dimensions

Width in mm	900.0
Diam. air outlet	150

Energy specifications

Plug type	GB
Annual energy consumption AEC	43.5
F. dynamic efficiency class	A
Light Efficiency Class	A
Grease filtering efficiency cl	C
Motor voltage	220-240V 50-60Hz
Motor Gr comm.name	SP A++
Number of motor	1

Installation

Installation	Wall
--------------	------

Product specifications

Air quality sensor	No
Energy efficiency class	A+

Product Identification

Product brand	FRANKE
Model range	EVO-PLUS

Properties

Number of lamp	2
Lamp type	Led S1001 4000K
Remote control	No
Waterproof	No

UI type	Touch capacitive
Speed number	4
Speed setting	No
24H	No
Delay	No
Sensor self start	No
WI-FI	No
Filter typology	Cassette
Type of filter	Aluminium
Charcoal filter	Yes

Performance

Speed	1	2	3	BOOST
Flow (m ³ /h)	280.0	360.0	470.0	800.0
Press. Max (Pa)	150.0	530.0	560.0	600.0
Power (Watt)	160.0	190.0	230.0	270.0
Noise level (dBA)	48.0	53.0	57.0	69.0